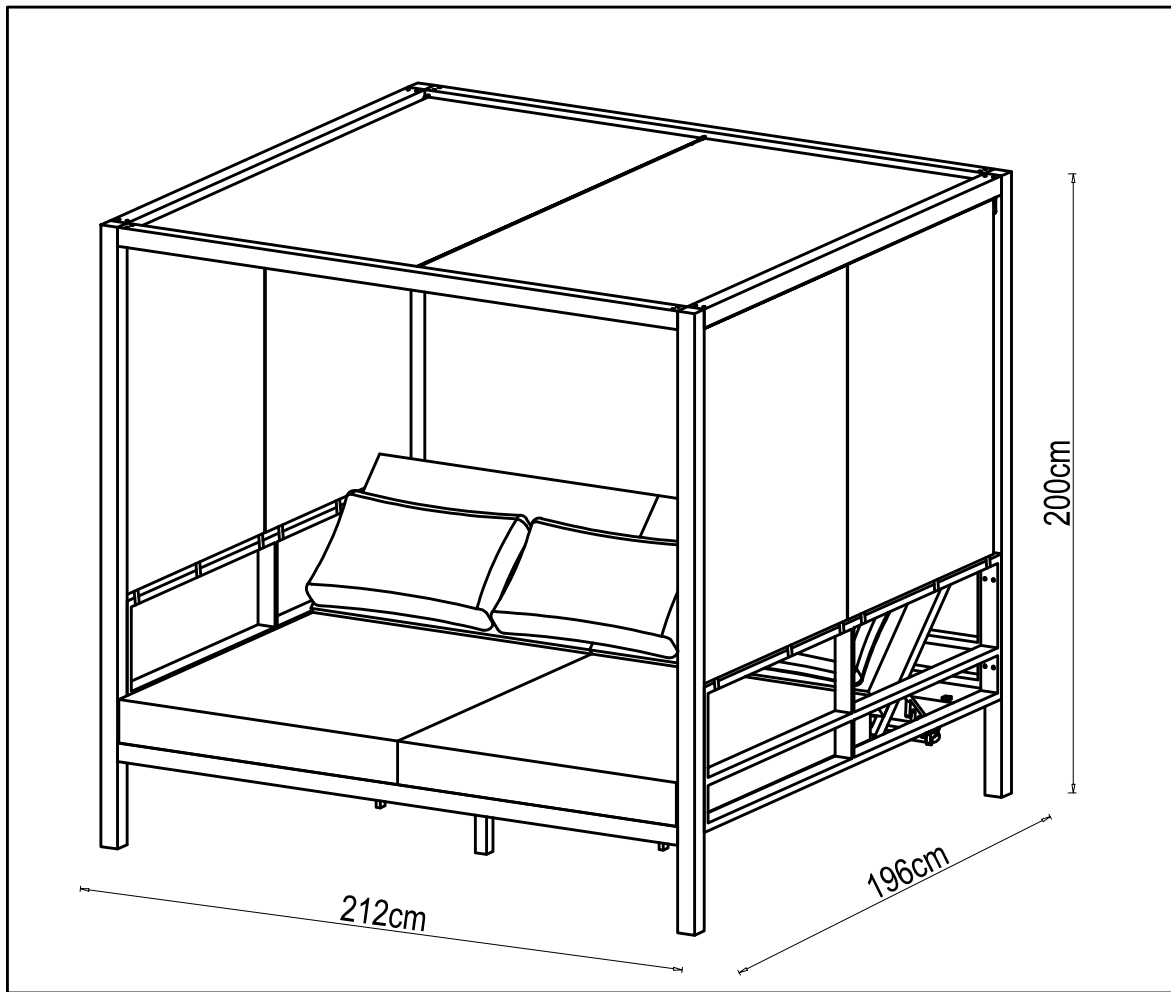




ASSEMBLY INSTRUCTION

COPACABANA OUTDOOR DAYBED

ITEM CODE - 84792

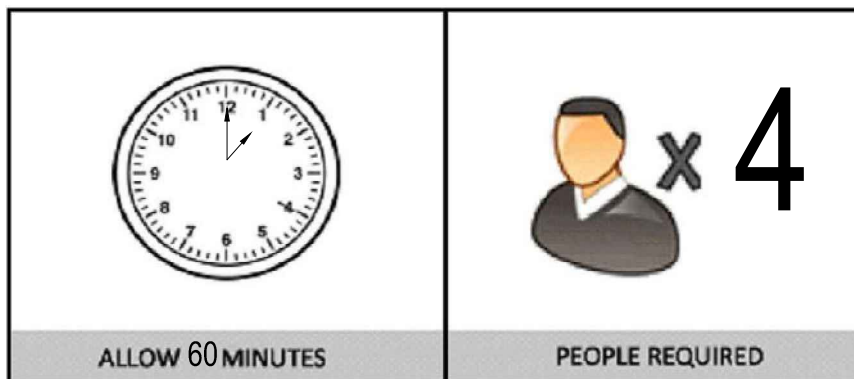


Imported by Amart Furniture Pty Ltd, Brisbane QLD, Australia.  
For any assistance with assembly or for missing parts please phone  
Amart Furniture, Customer Service Freecall 1800 351 084

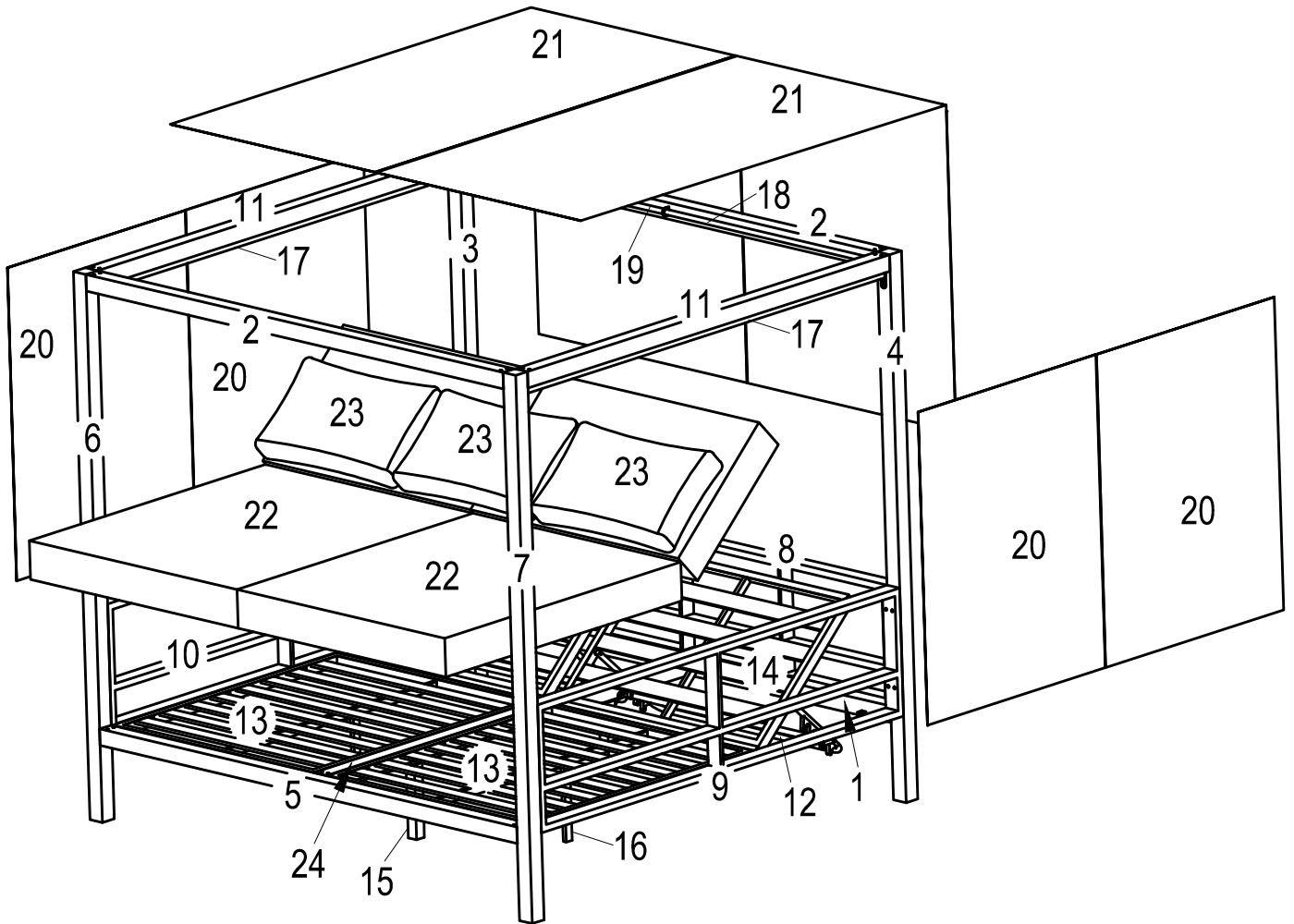
## PRE-ASSEMBLY PREPARATION

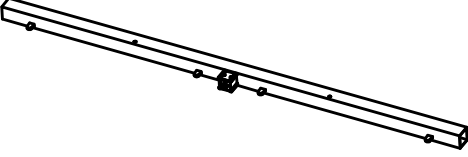
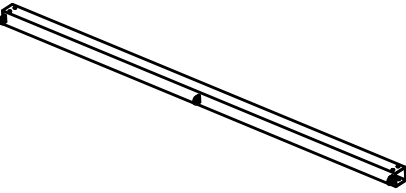
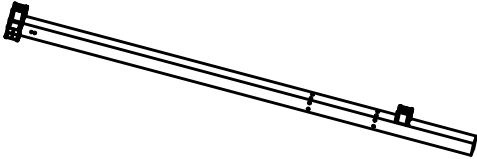
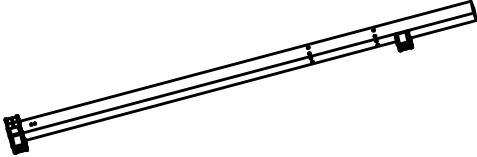
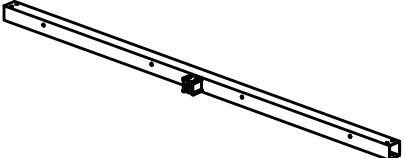
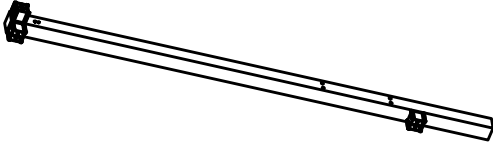
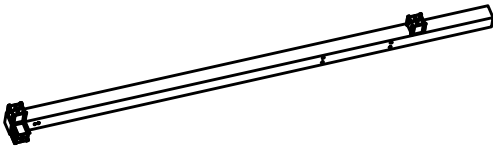
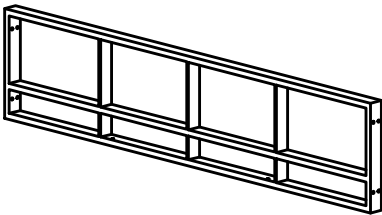
### Before you start:

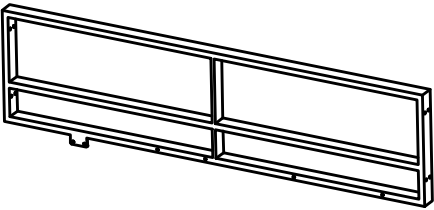
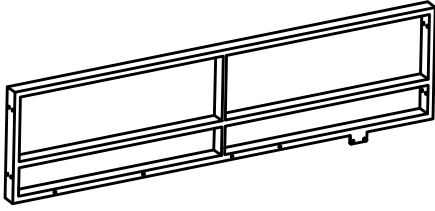

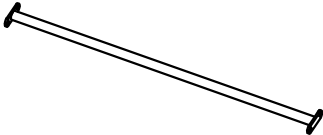
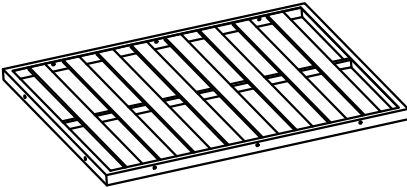
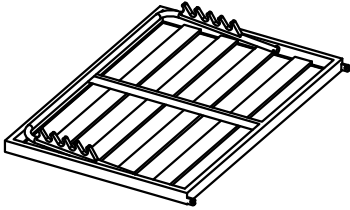
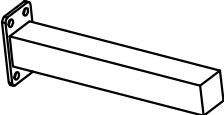
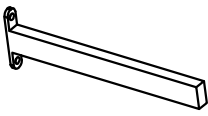
1. Choose a clean, level, spacious assembly area. Avoid hard surfaces that may damage the product.
2. Take care when lifting. Product should be assembled as near as possible to the point of use.
3. Ensure that you have all required contents for complete assembly.
4. Always read the assembly instructions carefully before beginning assembly.
5. Keep all hardware parts and packaging out of reach of small children.
6. Do not over tighten the screws and bolts as this may damage the threads.



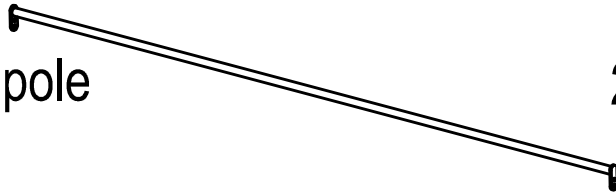
# PARTS LIST



1. Back cross beam		1pc
2. Top beam		2pcs
3. Left back leg		1pc
4. Right back leg		1pc
5. Front cross beam		1pc
6. Left front leg		1pc
7. Right front leg		1pc
8. Back panel		1pc

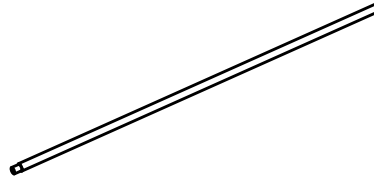
9.	Right panel		1pc
10.	Left panel		1pc
11.	Top side beam		2pcs
12.	Back panel support bar		2pcs
13.	Seat panel		2pcs
14.	Back panel		2pcs
15.	Center support leg		2pcs
16.	Seat support leg		2pcs

17. Hanging cloth pole



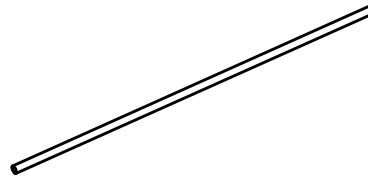
2pcs

18. Connecting rod A



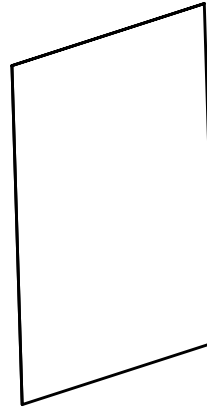
2pcs

19. Connecting rod B



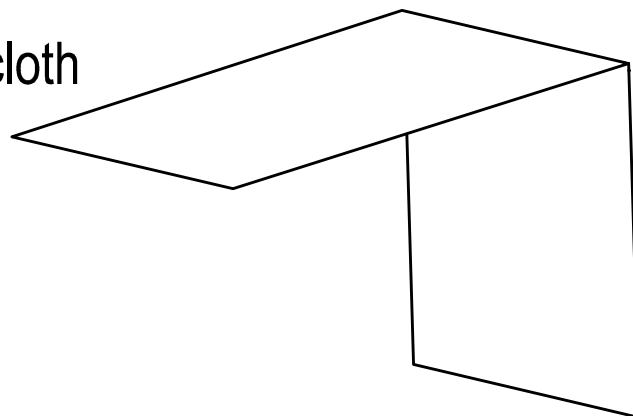
2pcs

20. Side panel fabric



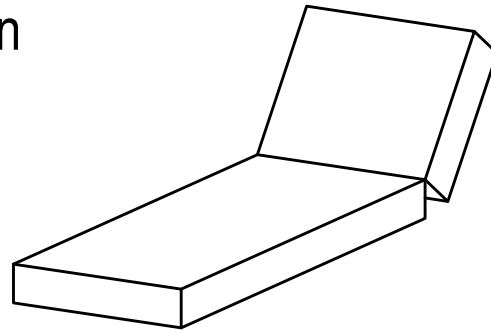
4pcs

21. Top fence cloth



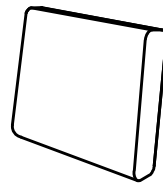
2pcs

22. Seat Cushion



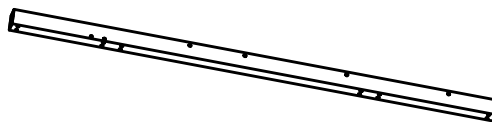
2pcs

23. Back cushion

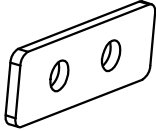




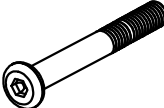
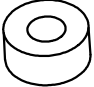

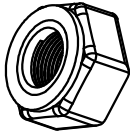
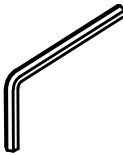
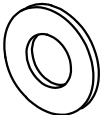



3pcs

24. Center beam


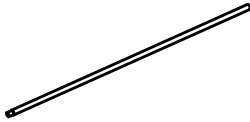
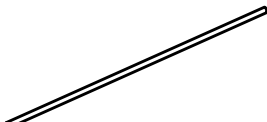





1pc

<p>A. Washer</p>  <p>50*25*3mm*24PCS</p>	<p>B. Bolt</p>  <p>M6*20*32PCS</p>
<p>C. Bolt</p>  <p>M6*35*16PCS</p>	<p>D. Bolt</p>  <p>M6*38*24PCS</p>
<p>E. Bolt</p>  <p>M6*40*2PCS</p>	<p>F. Bolt</p>  <p>M6*75*24PCS</p>
<p>G. Plastic washer</p>  <p>2mm(M6)*4PCS</p>	<p>H. Wrench</p>  <p>M6*2PCS</p>
<p>I. Nut</p>  <p>M6*28PCS</p>	<p>J. Allen Key</p>  <p>M6*2PCS</p>
<p>K. Washer</p>  <p>M6*130PCS</p>	<p>L. Bolt</p>  <p>M6*30*4PCS</p>

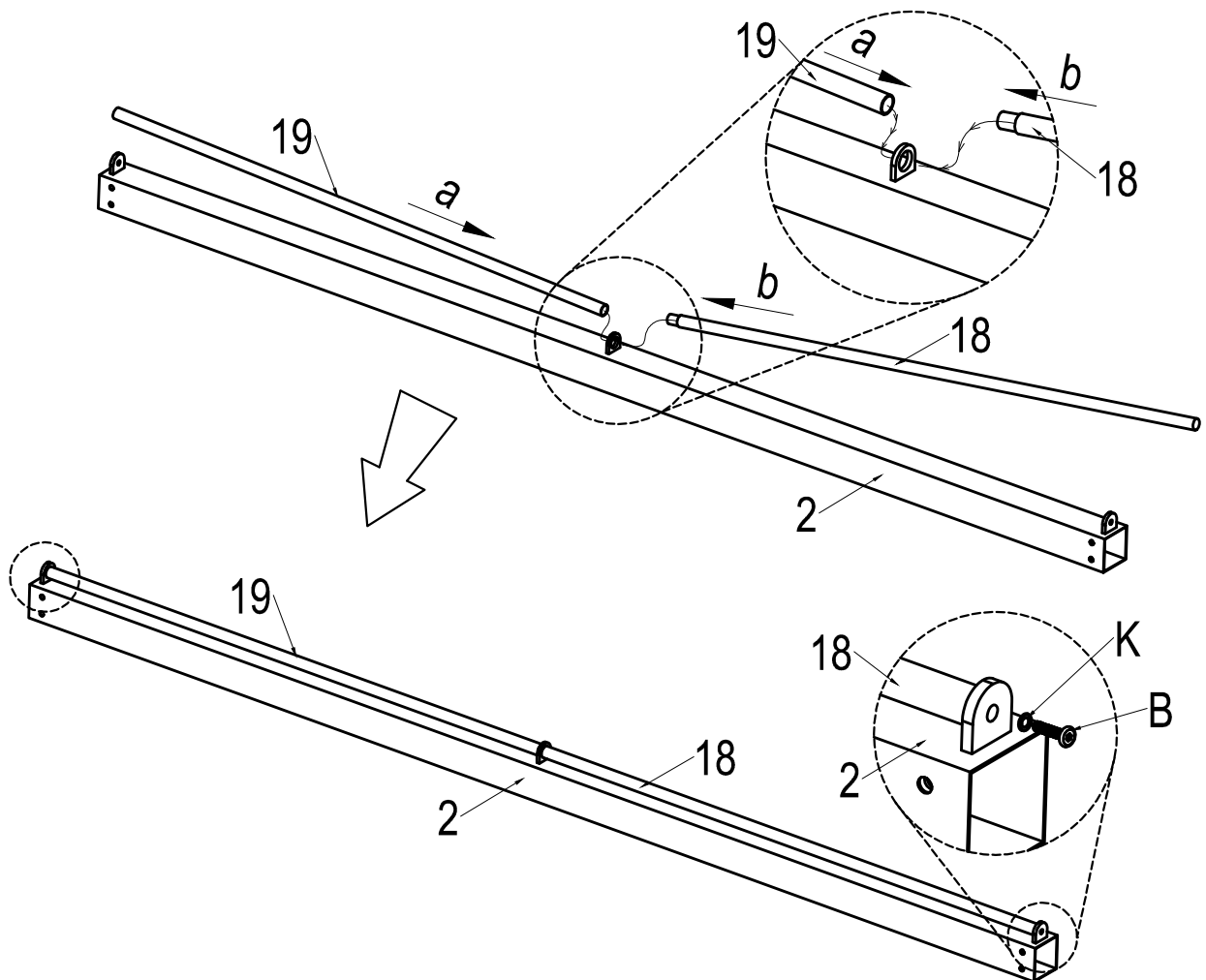
# Step 1:

## ITEMS REQUIRED

2. Top beam 2PCS 	18. Connecting rod A 2PCS 	19. Connecting rod B 2PCS 	B. Bolt  M6*20*4pcs
K. Washer  M6*4pcs	J. Allen Key  M6*1pc		


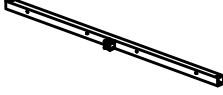

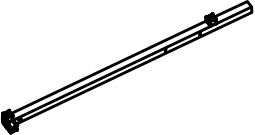
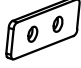





- Attach connecting rod B (19) to top beam (2).
- Attach connecting rod A (18) to top beam (2) and connecting rod B (19), using bolt (B) and washer (K).
- Tighten with allen Key (J).

x 2

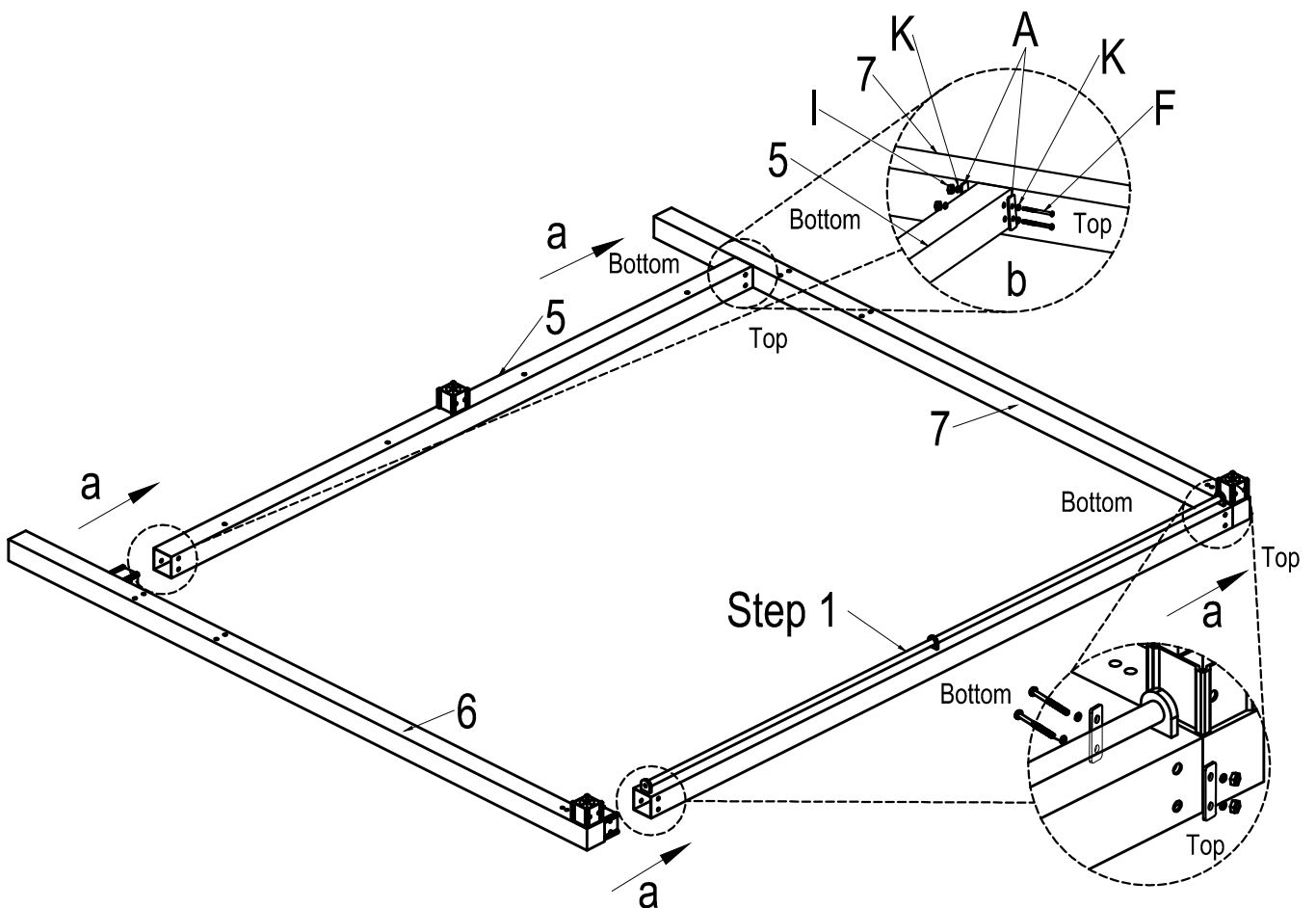


# Step 2:

## ITEMS REQUIRED


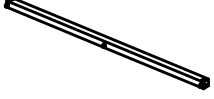








2. Top beam 1PC 	5. Front cross beam 1PC 	6. Left front leg 1PC 	7. Right front leg 1PC 	A. Washer  50*25*3mm*8pcs
F. Bolt  M6*75*8pcs	I. Nut  M6*8pcs	H. Wrench  M6*1pc	J. Allen Key  M6*1pc	K. Washer  M6*16pcs

- Attach step1 to front leg (6&7) using washer (A) , bolt (F),washer (K) and nut (I).
- Attach front cross beam(5) to front leg (6&7) using washer (A) , bolt (F),washer (K) and nut (I).
- 80% tighten with allen key (J) & wrench (H).
- DO not fully tighten until step 12.

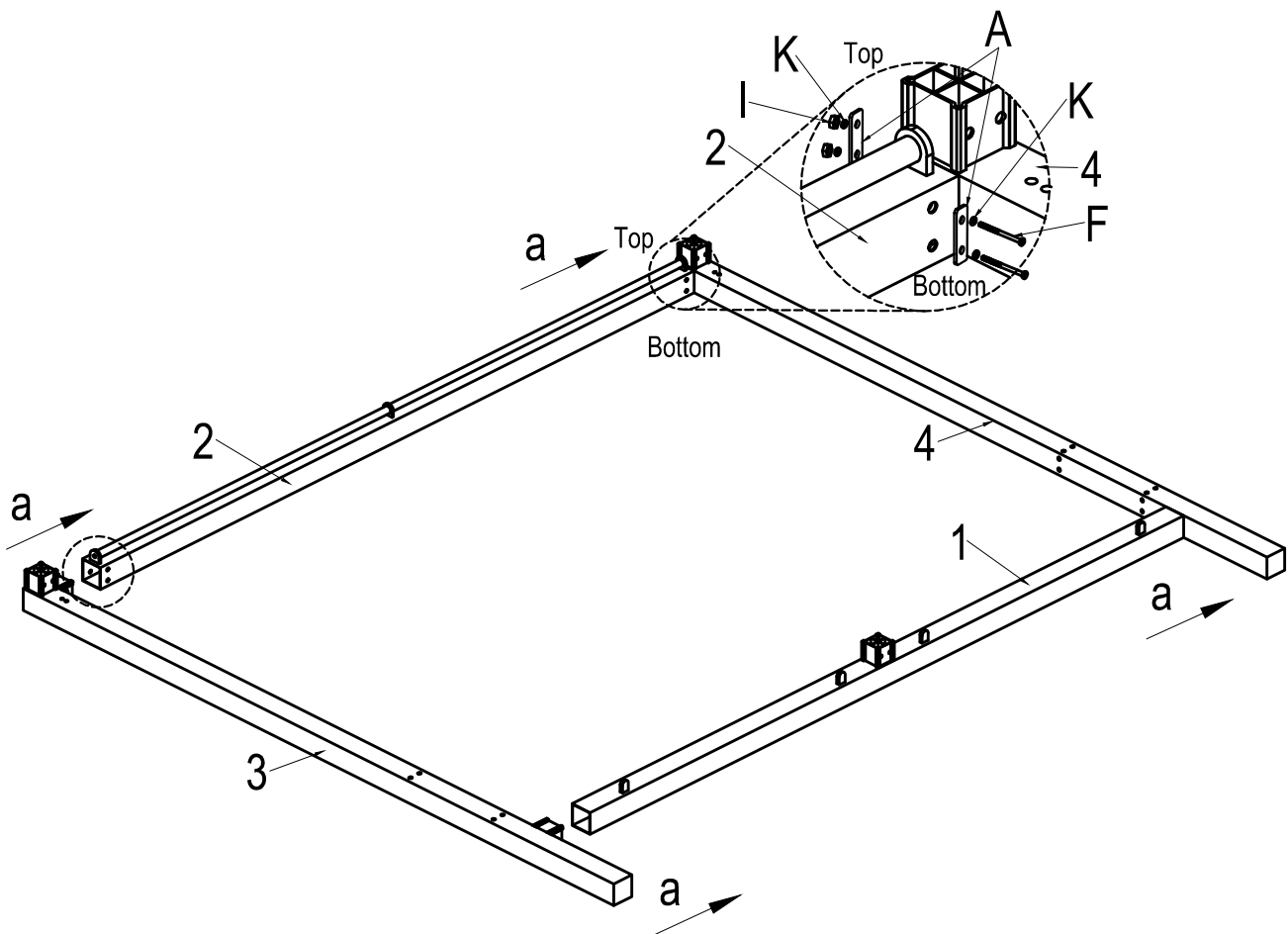


# Step 3:

## ITEMS REQUIRED

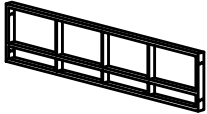




1. Back cross beam 1PC 	2. Top beam 1PC 	3. Left back leg 1PC 	4. Right back leg 1PC 	A. Washer  50*25*3mm*4pcs
F. Bolt  M6*75*4pcs	I. Nut  M6*4pcs	H. Wrench  M6*1pc	J. Allen Key  M6*1pc	K. Washer  M6*8pcs

- Attach back cross beam (1) to back leg (3&4) .
- Attach top beam(2) to back leg (3&4) using washer (A) , bolt (F),washer (K) and nut (I).
- 80% tighten with allen key (J) & wrench (H).
- DO not fully tighten until step 12.

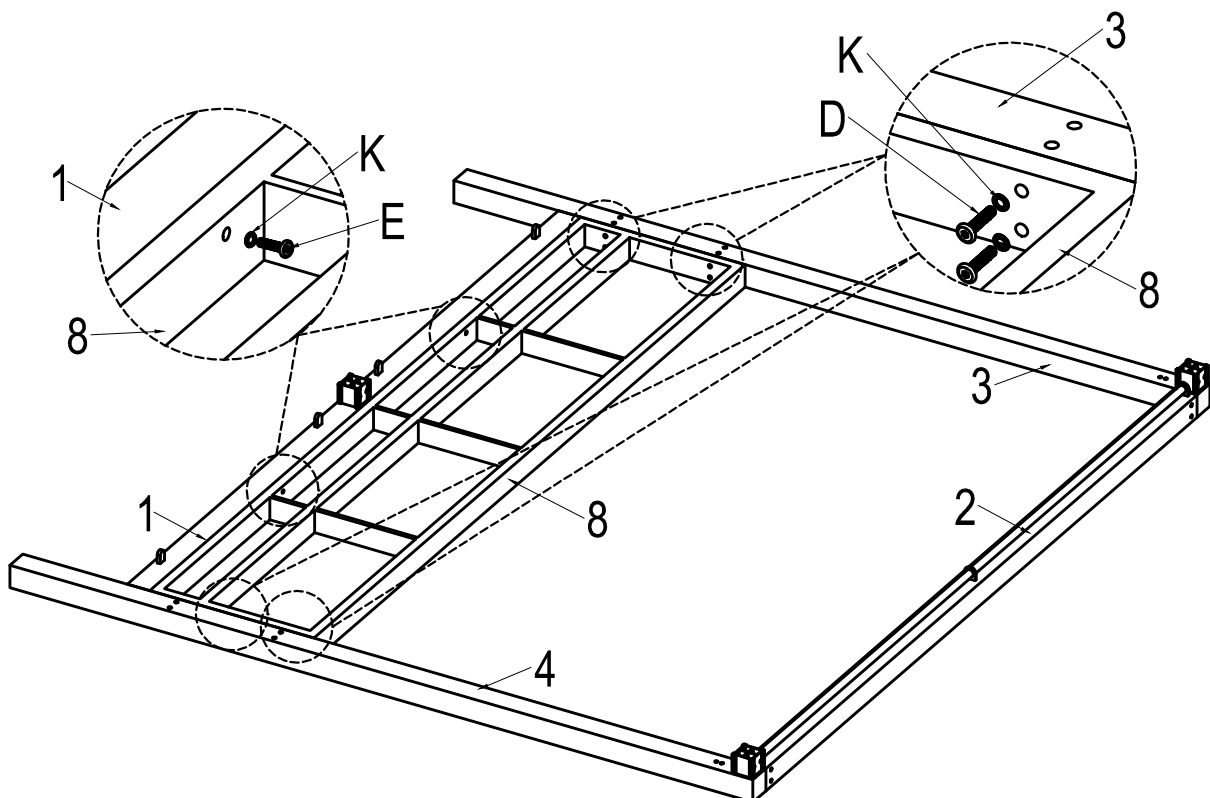


# Step 4:

## ITEMS REQUIRED

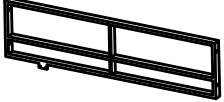
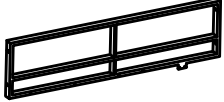


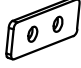






8. Back panel 1PC 	D. Bolt  M6*38*8pcs	E. Bolt  M6*40*2pcs	J. Allen Key  M6*1pc	K. Washer  M6*10pcs
--	--	--	---	--

- Attach back panel (8) to back leg (3&4) and back cross beam (1) using bolt (D&E), washer (K) .
- 80% tighten with allen key (J) & wrench (H).
- DO not fully tighten until step 12.

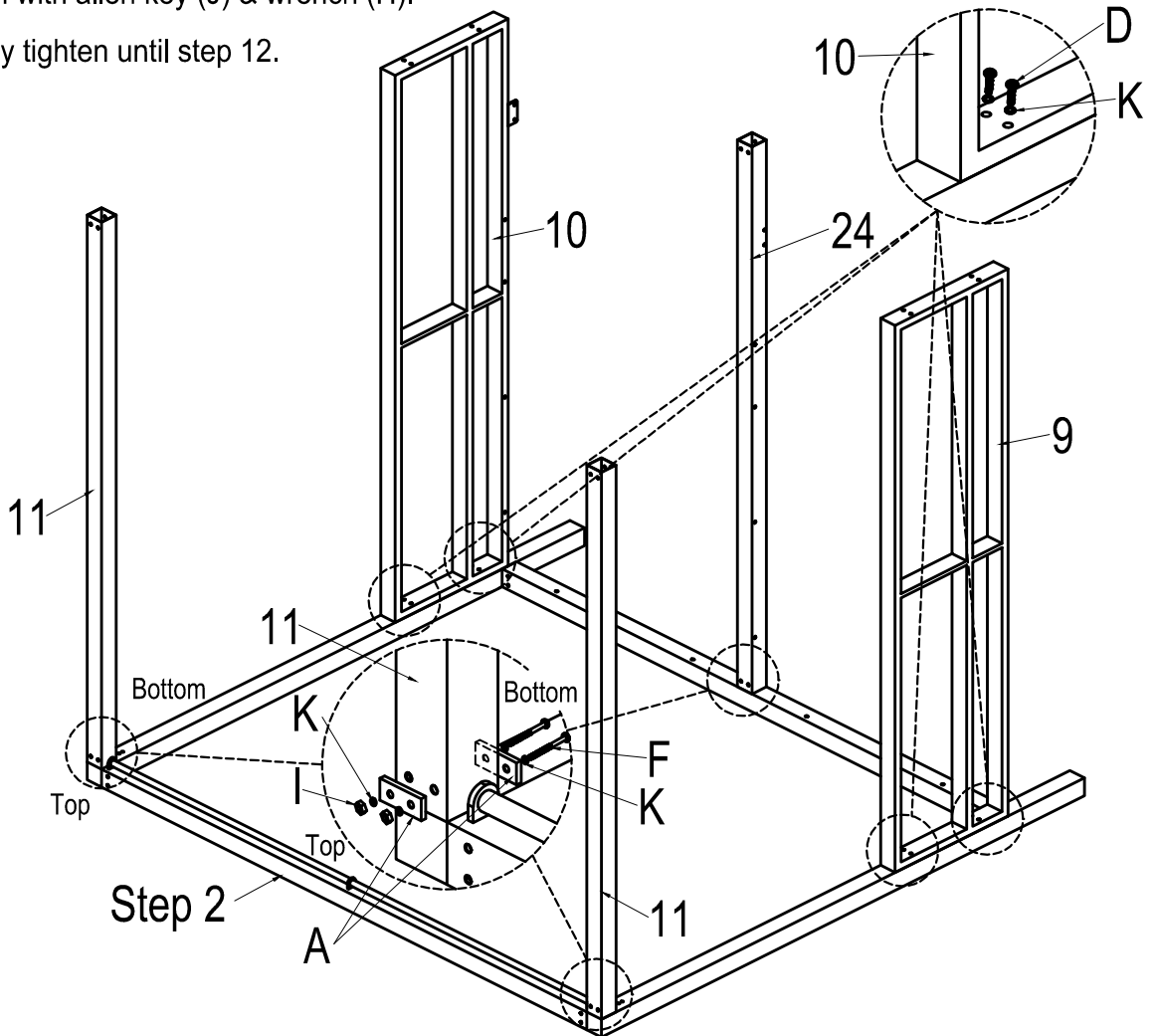


# Step 5:

## ITEMS REQUIRED

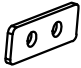





9. Right panel 1PC 	10. Left panel 1PC 	11. Top side beam 1PC 	24. Center beam 1PC 	A. Washer  50*25*3mm*6pcs
F. Bolt  M6*75*6pcs	I. Nut  M6*6pcs	H. Wrench  M6*1pc	J. Allen Key  M6*1pc	K. Washer  M6*20pcs
D. Bolt  M6*38*8pcs				

- Attach top side beam (11) and center beam (24) to step 3 using using washer (A) , bolt (F), washer (K) and nut (I).
- Attach right panel (9) and Left panel (10) to Step 2 using bolt (D) and washer (K) .
- 80% tighten with allen key (J) & wrench (H).
- DO not fully tighten until step 12.

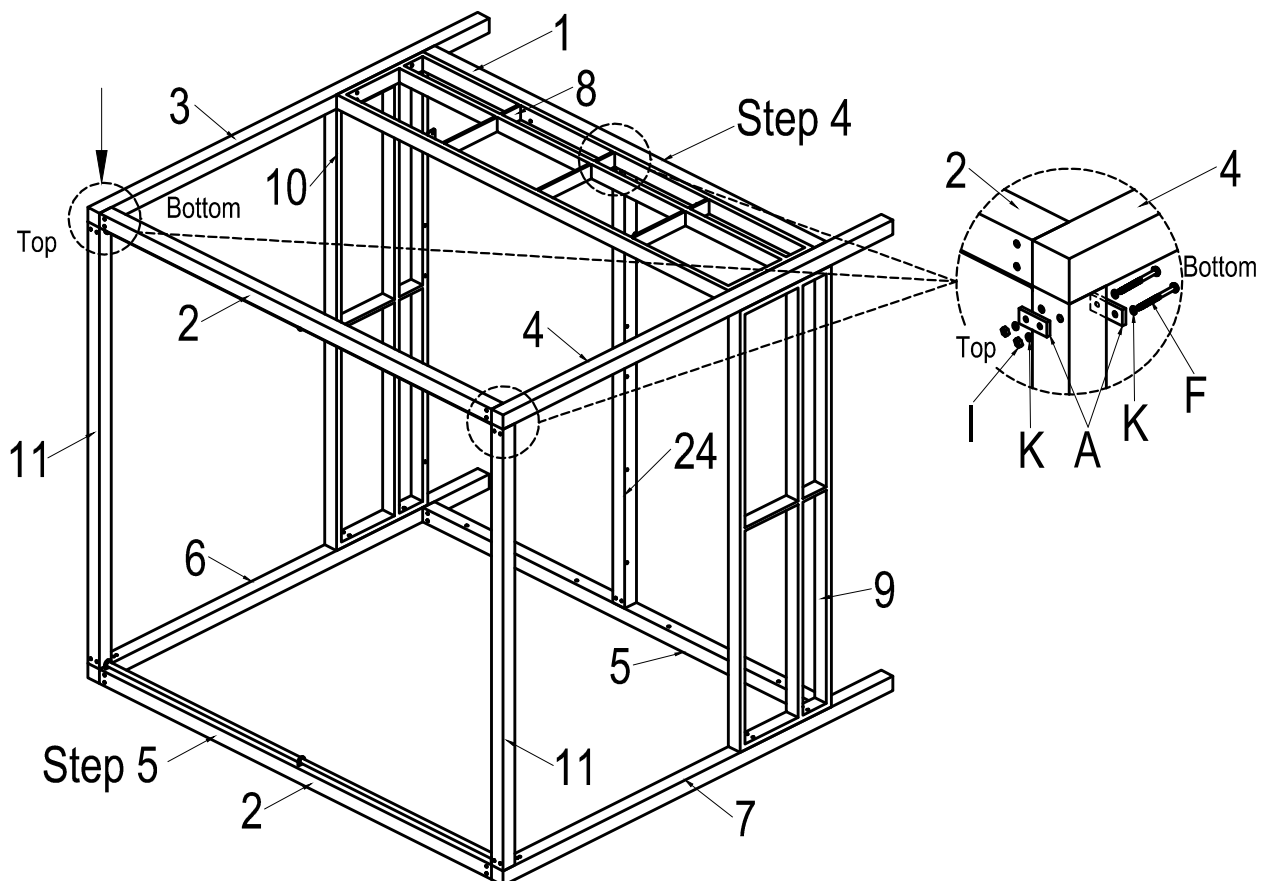


# Step 6:

## ITEMS REQUIRED

<p>A. Washer</p>  <p>50*25*3mm*6pcs</p>	<p>F. Bolt</p>  <p>M6*75*6pcs</p>	<p>I. Nut</p>  <p>M6*6pcs</p>	<p>H. Wrench</p>  <p>M6*1pc</p>	<p>J. Allen Key</p>  <p>M6*1pc</p>
<p>K. Washer</p>  <p>M6*12pcs</p>				

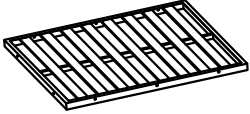



- Attach step 4 to step 5 using washer (A) , bolt (F),washer (K) and nut (I),required at least 4 people.
- 80% tighten with allen key (J) & wrench (H).
- DO not fully tighten until step 12.



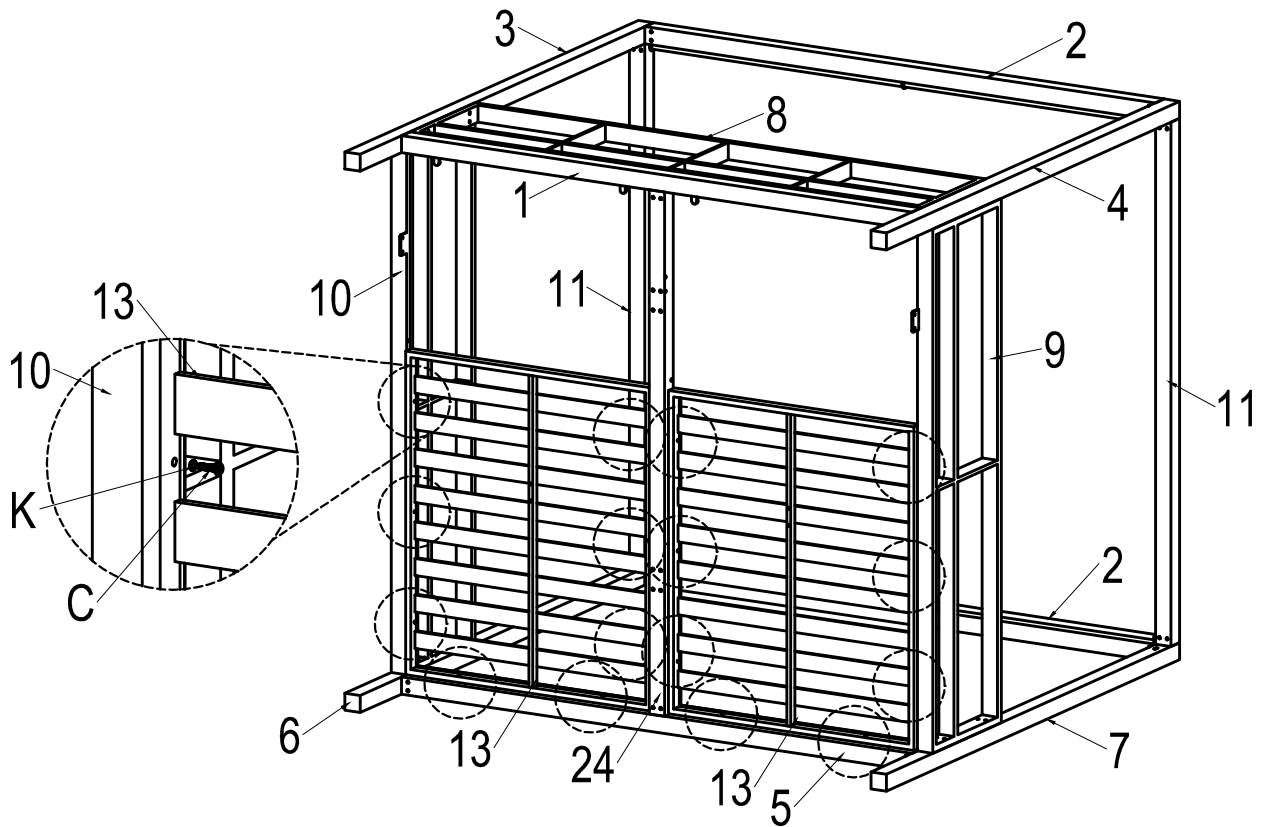


# Step 8:

## ITEMS REQUIRED

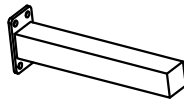
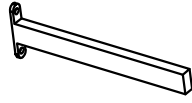
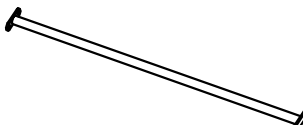





13. Seat panel 2PCS 	C. Bolt  M6*35*16pcs	J. Allen Key  M6*1pc	K. Washer  M6*16pcs
--	---	---	--

- Attach seat panel (13) to step 7 using bolt (C) with washer (K).
- 80% tighten with allen key (J) & wrench (H).
- DO not fully tighten until step 12.

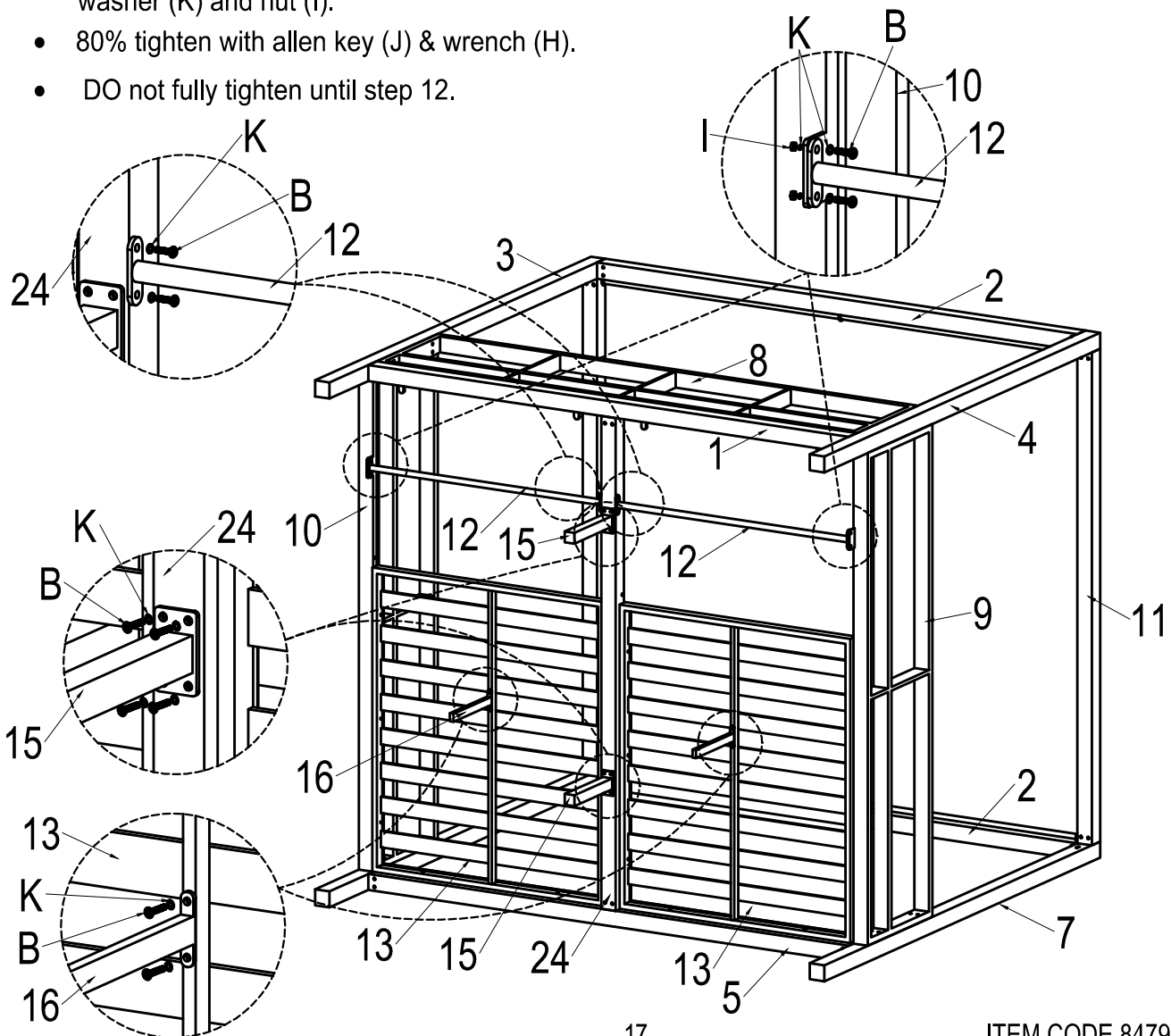


# Step 9:

## ITEMS REQUIRED

15. Center support leg 2PCS 	16. Seat support leg 2PCS 	12. Back panel support bar 2PCS 	B. Bolt  M6*20*20pcs
J. Allen Key  M6*1pc	K. Washer  M6*24pcs	I. Nut  M6*4pcs	H. Wrench  M6*1pc

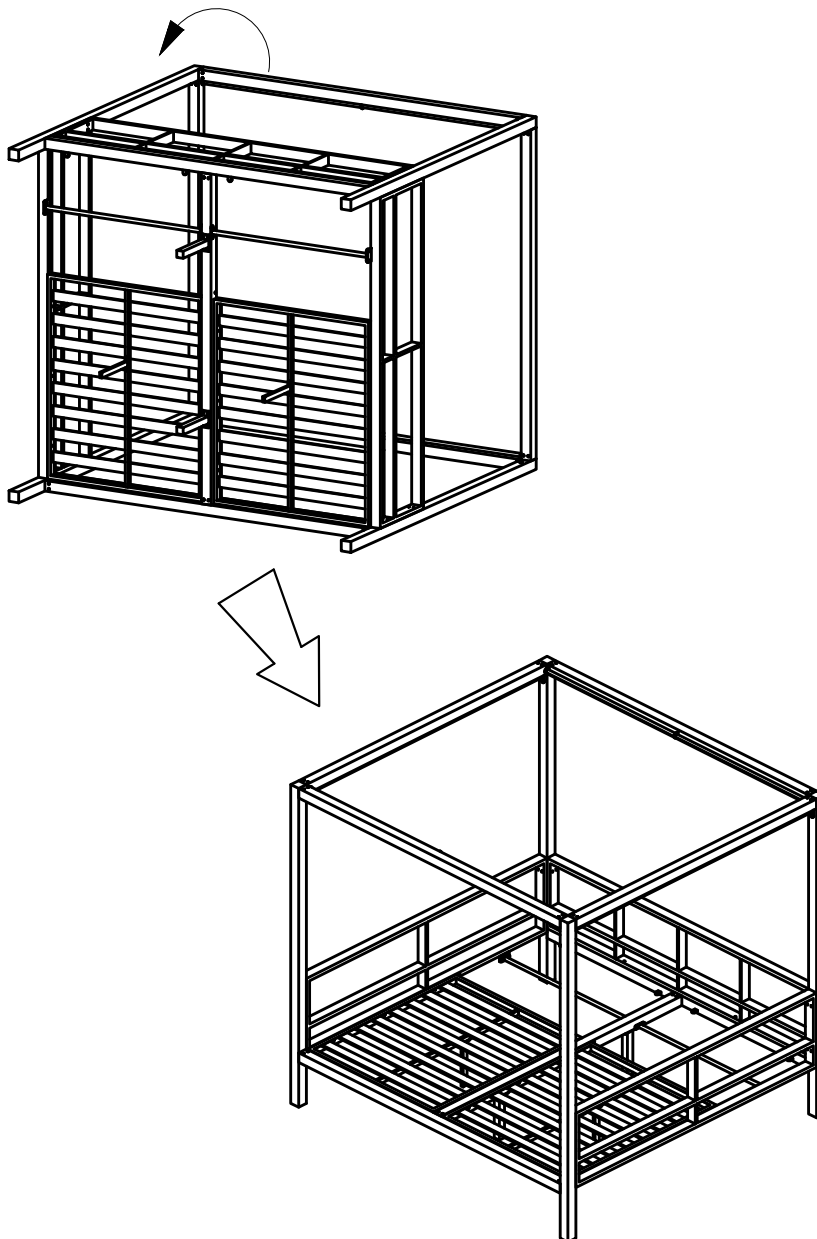
- Attach seat support leg (16) to seat panel (13) using bolt (B) with washer (K) .
- Attach center support leg (15) to center beam (24) using bolt (B) with washer (K) .
- Attach back panel support bar (12) to right panel (9) and Left panel (10) using bolt (B), washer (K) and nut (I).
- 80% tighten with allen key (J) & wrench (H).
- DO not fully tighten until step 12.



## Step 10:






### ITEMS REQUIRED

- Turn over the assembled frame (step9) as shown in below picture,required at least 2 people.
- Turn over gently,pay attention to safety.



# Step 11:

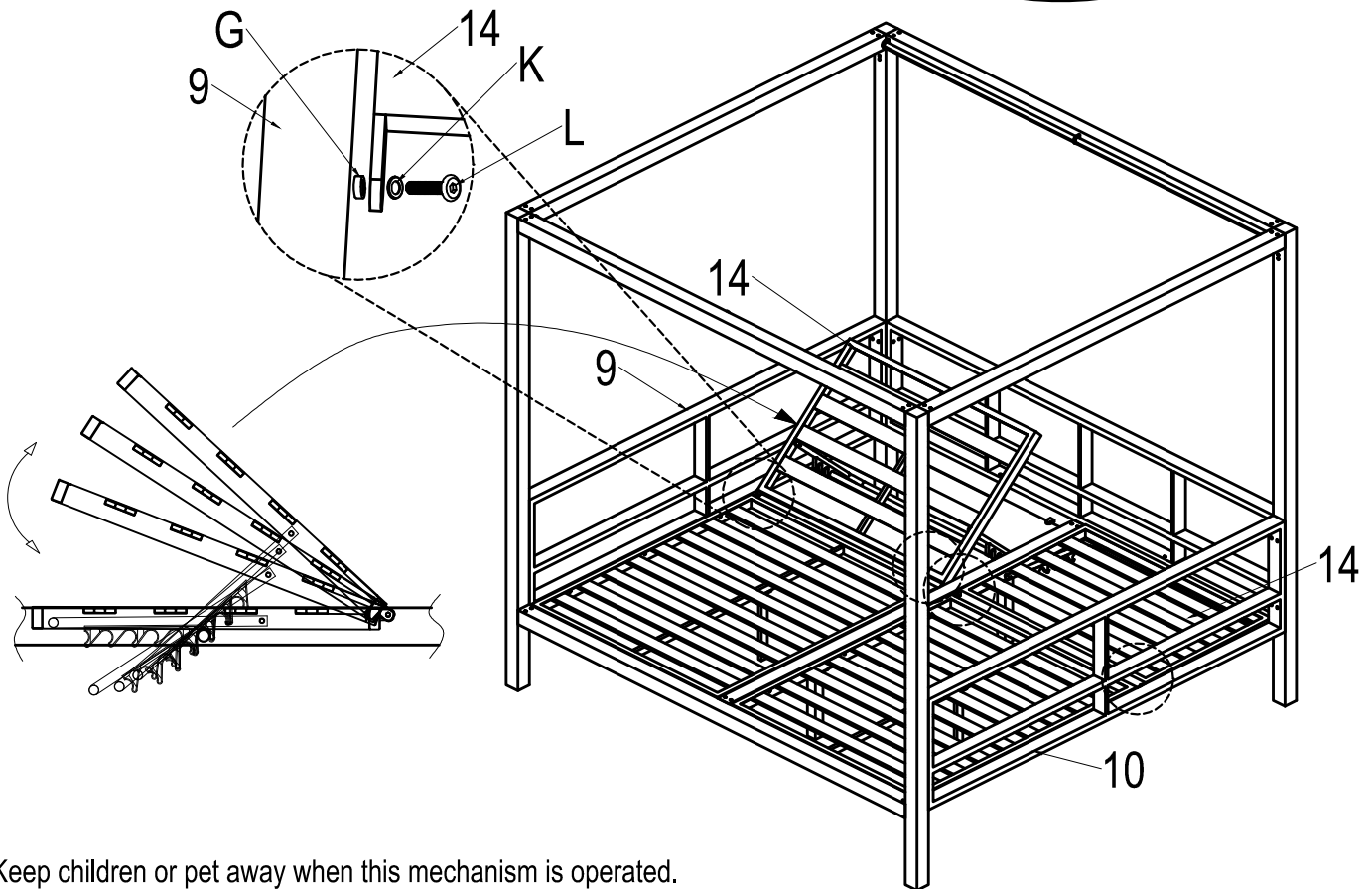
## ITEMS REQUIRED

14. Back panel 2PCS 	L. Bolt  M6*30*4pcs	J. Allen Key  M6*1pc	K. Washer  M6*4pcs	G. Plastic washer  2mm(M6)*4pcs
--	--	---	---	--

- Attach back panel (14) to right panel (9) and Left panel (10) using bolt (L), washer (K) and plastic washer (G).
- 80% tighten with allen key (J) & wrench (H).
- DO not fully tighten until step 12.

### WARNING

PINCH HAZARD: BEWARE OF YOUR FINGERS  
WHEN LIFTING AND LOWERING THE MECHANISM.



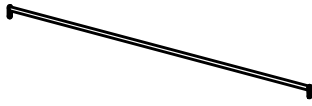
Keep children or pet away when this mechanism is operated.

Make sure the mechanism is well placed into spot after adjusting the level before using it.

# Step 12:

## ITEMS REQUIRED

17. Hanging cloth pole 2PCS



B. Bolt



M6\*20\*8pcs

J. Allen Key



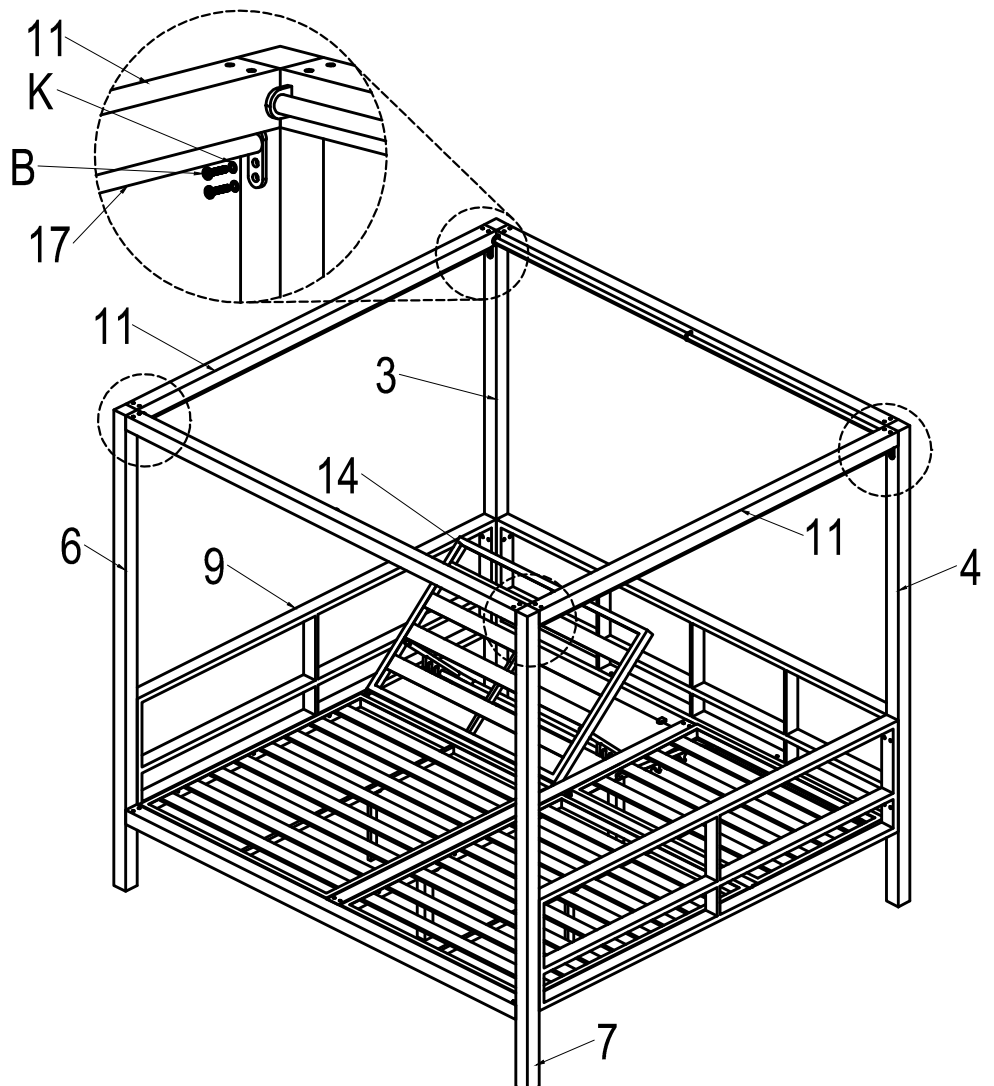
M6\*1pc

K. Washer



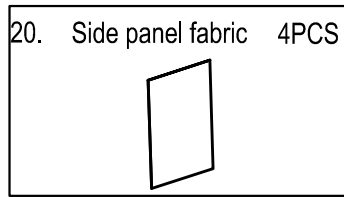
M6\*8pcs

- Attach hanging cloth pole (17) to leg (3&4&6&7) using bolt (B) with washer (K).
- Fully tighten with allen Key (J) & wrench (H) at this step.

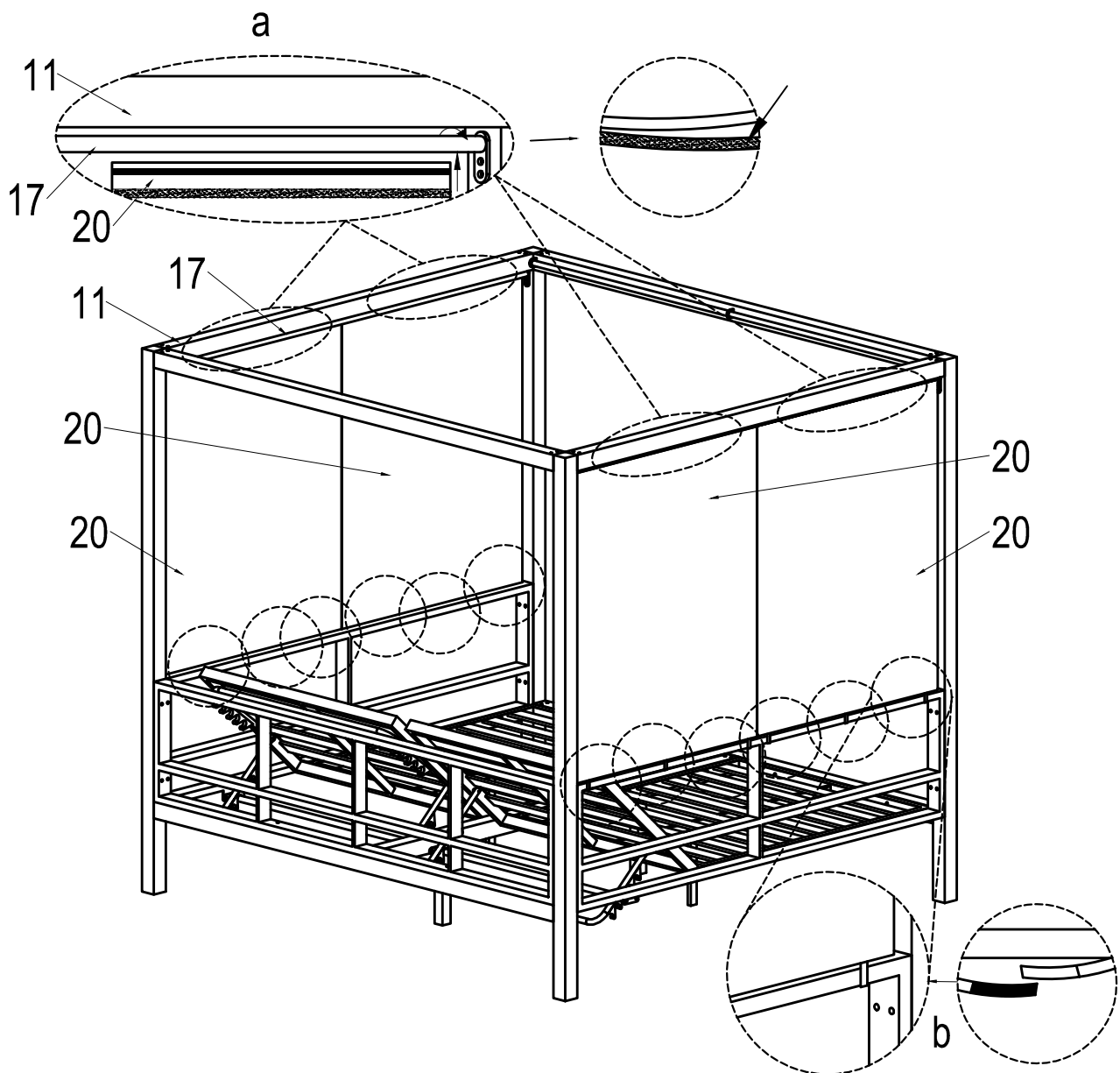


# Step 13:

## ITEMS REQUIRED

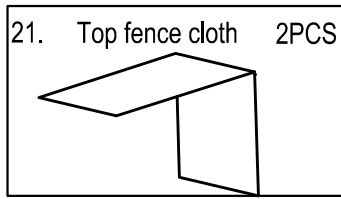


- Passing through side panel fabric (20) to hanging cloth pole (17) stick together with velcro.
- Then fasten with an velcro strap.

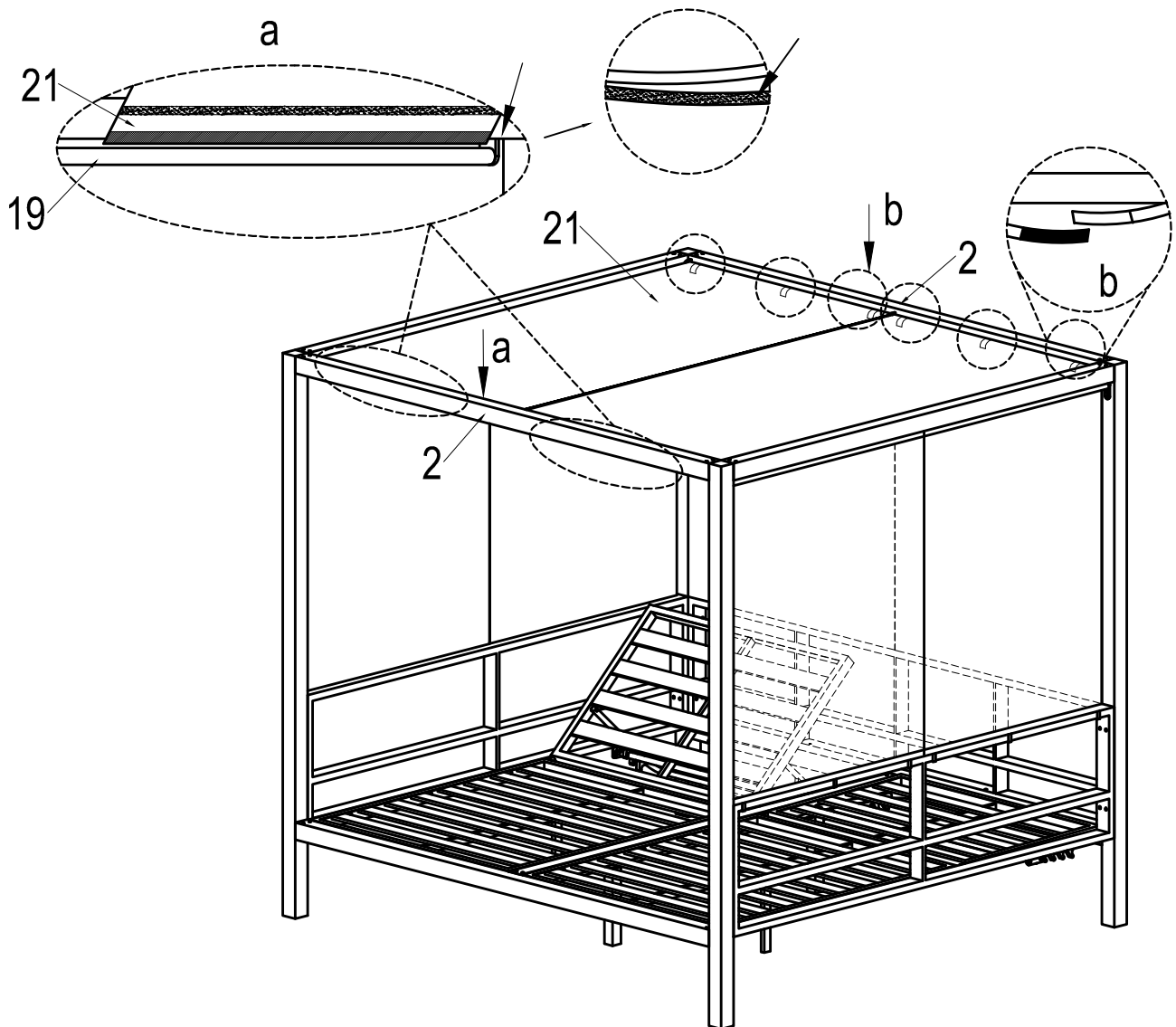


# Step 14:

## ITEMS REQUIRED



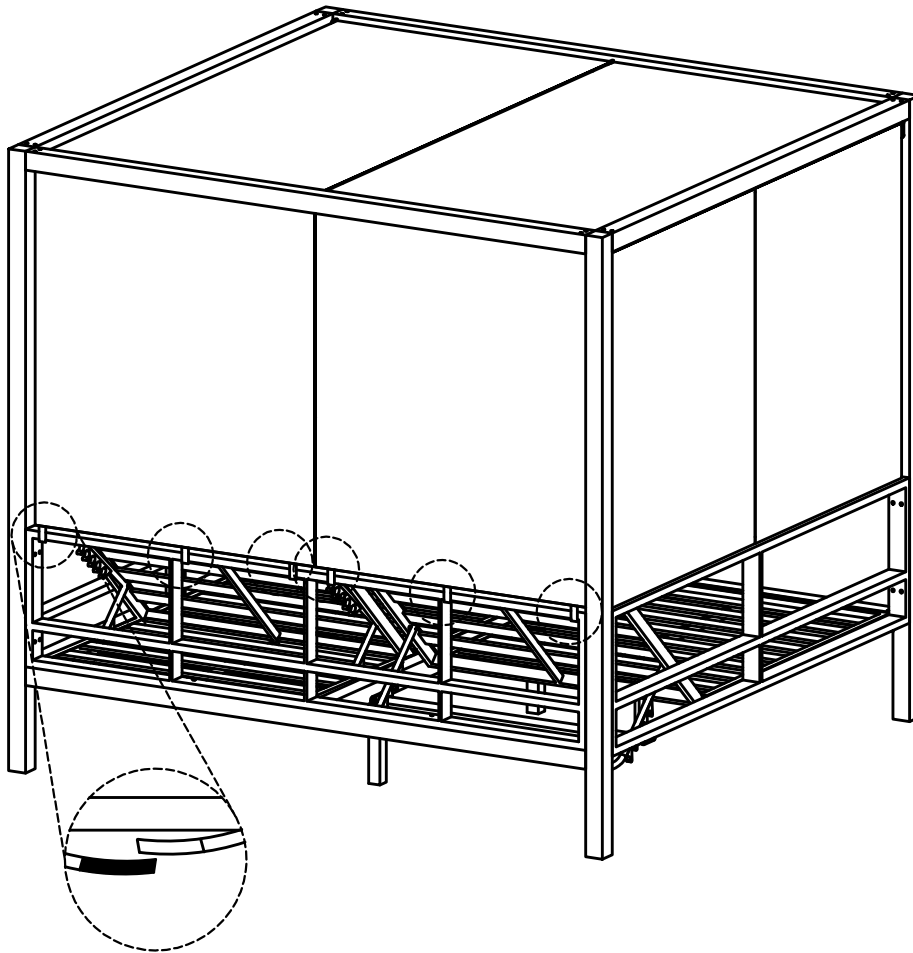
- Attach top fence cloth (21) to connecting rod (18) (19) from top to bottom.
- Then fasten with an velcro strap.



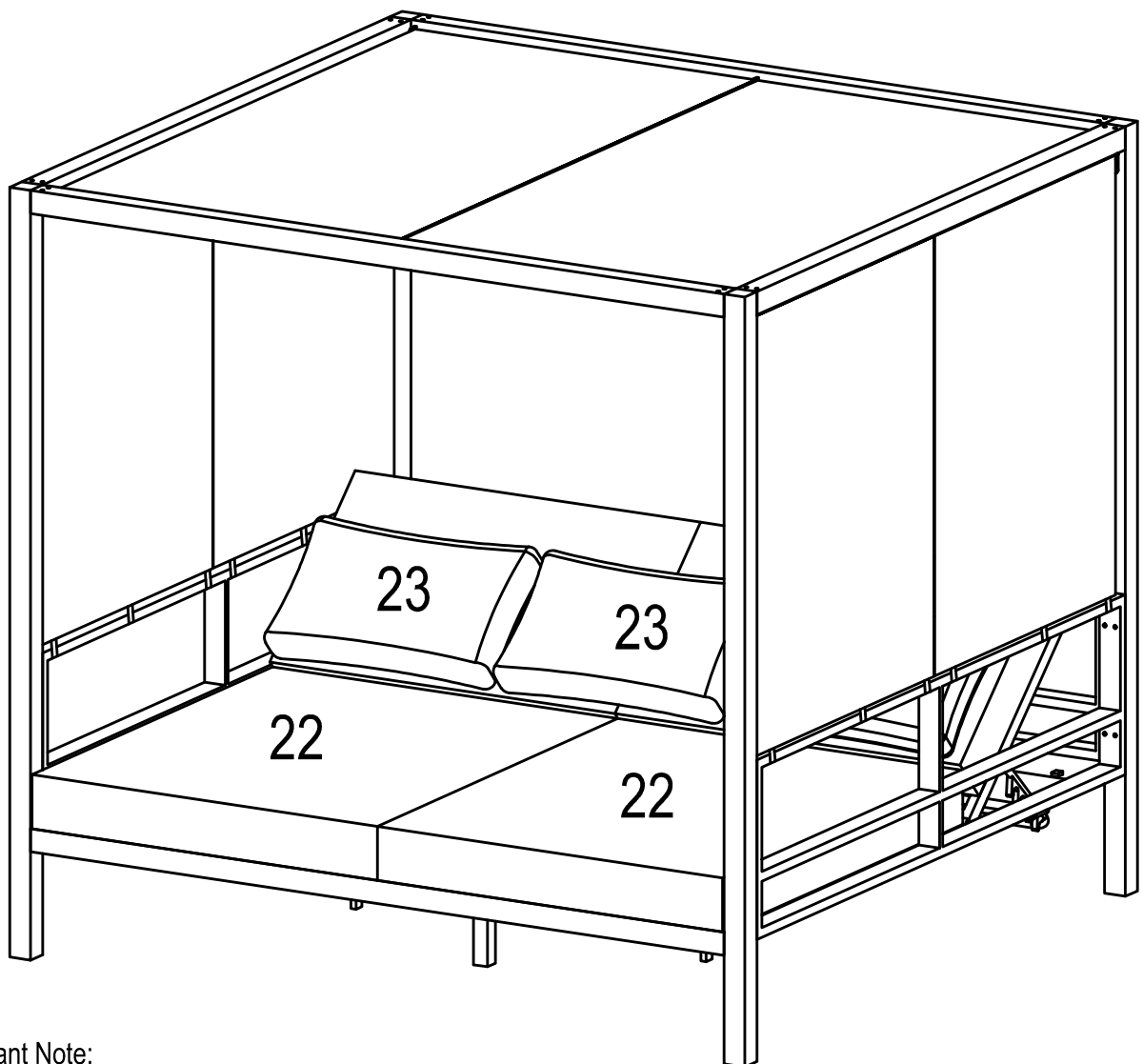
# Step 15:

## ITEMS REQUIRED

- Last fasten with each velcro strap.



## ASSEMBLY IS COMPLETE



### Important Note:

It is advisable to roll up the shade fabric in strong windy weather.

**Avoid Overloading:** Do not allow multiple adults to sit or lie on this bed designed for dual use.

Warn children about jumping or rough play, which can strain the structure or cause injury to children.

**Avoid Heat Sources:** Keep the day bed away from fire pits, grills, or heaters, as direct heat may ignite fabric cushions.

# Care and maintenance

---

## Aluminium

To ensure the longevity and maintain the appearance of your aluminium outdoor furniture, please follow these care instructions:

### **1.Usage and Storage:**

This item is designed for outdoor use, but, like all man-made materials, it can suffer damage if left exposed to the elements. To extend its life, avoid prolonged exposure to weather conditions. Store the furniture indoors or under cover when not in use or use an outdoor cover (do not store on grass).

### **2.Avoid Excess Moisture:**

DO NOT allow the furniture to remain wet or sit in standing water for long periods. Wipe the furniture dry immediately if it becomes wet. Excess moisture can cause corrosion.

### **3.Avoid exposure to chlorine & salt water:**

Chlorine/salt can disrupt the protective oxide layer on aluminium, leading to accelerated corrosion. This is particularly problematic in environments with high chlorine concentrations, such as in swimming pools, homes within a short distance of the ocean or areas with heavy chlorination.

### **4.Cleaning:**

Clean your furniture with care. Avoid using harsh solvents, abrasives, or chemicals. To remove dirt and grime, rinse with fresh water and dry thoroughly. For a deeper clean, use a sponge and a mild detergent solution as needed. Abrasive cleaners will scratch/damage the surface.

Live by the beach? Due to a process called "aerosolization", sea water is broken up into tiny droplets by the wind and waves and salt particles are released into the air. This process accelerates the corrosion of metal surfaces over time. It is essential to use furniture covers when the product is not in use and clean your product more frequently.

By following these simple steps, you will help keep your furniture in great condition and ensure it remains a beautiful and functional part of your outdoor space.

# Care and maintenance

---

## Cushions

To keep your outdoor cushions looking their best and ensure they last, please follow these simple care instructions:

### **1.Sun Exposure:**

Direct sunlight can cause rapid fading of the fabric. For best results, avoid exposing the cushions to direct sunlight.

**2.Weather Protection:** To prolong the life of your cushions, do not leave them permanently exposed to weather conditions. Leaving cushions exposed puts the product at risk of mould and mildew growth. Store them indoors or under cover when not in use.

**3.Cleaning:** Spot clean using a mild detergent and a damp cloth. After cleaning, dry the cushions by laying them flat in a shaded area to prevent any potential damage.

### **4.Handling:**

- 1.Do not unzip the cushion covers.
- 2.Do not remove the cushions from their covers.
- 3.Do not put in the washing machine.
- 4.Do not tumble dry.
- 5.Do not bleach.
- 6.Do not dry clean.

By following these simple steps, you will help keep your furniture in great condition and ensure it remains a beautiful and functional part of your outdoor space. By following these simple steps, you will help keep your furniture in great condition and ensure it remains a beautiful and functional part of your outdoor space.